

# LED Vanity Fixture Installation

## Please read carefully before installing fixture

Save these instructions, as you may need them at a later date.

## Safety Precautions

Read all safety precautions and installation instructions carefully before installing or servicing this fixture. Failure to comply with these instructions could result in potentially fatal electric shock and/or property damage.

It is recommended that a qualified electrician perform all wiring. This fixture must be wired in accordance with all national and local electrical codes.

Do not handle any energized fixture or attempt to energize any fixture with wet hands or while standing on a wet or damp surface or in water.

Make sure that the power source conforms to the requirements of the fixture (see labels on fixture housing). Products are designed for use in a 120V AC (Triac dimmable) fused circuit.

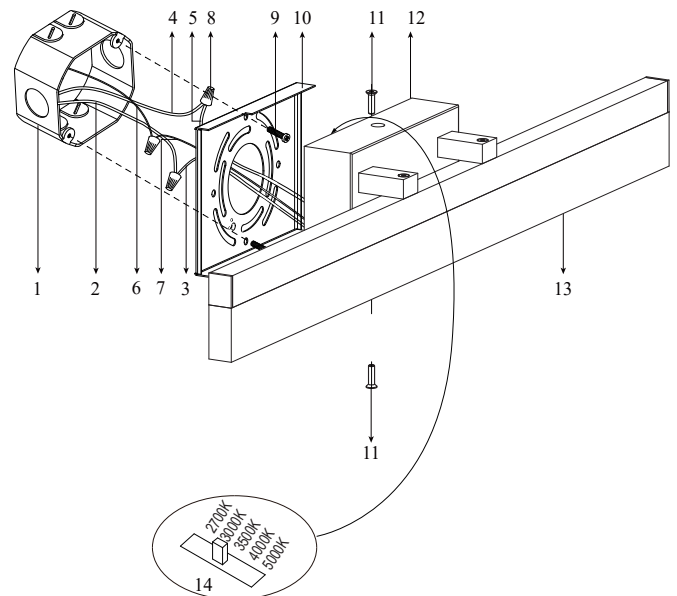
To reduce the risk of electrical shock, and to assure proper operation, this fixture must be adequately grounded. To accomplish proper grounding, there must be a separate ground wire (green) contact between this fixture and the ground connection of your main power supply panel.

This fixture is intended to be used for general indoor lighting in dry or damp locations only.

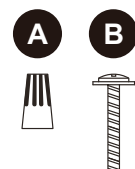
Operating temperature: -25°C ~45°C (-13°F ~113°F).

## ASSEMBLY INSTRUCTIONS

1. SHUT OFF MAIN ELECTRICAL SUPPLY FROM THE MAIN FUSE BOX/CIRCUIT BREAKER!
2. Remove mounting bracket(10) from the fixture by loosening two mounting screws B (11) and check that all parts are included, as shown in figure.
3. Pull the power supply wires out from the OUTLET BOX (1).
4. Make the following wire connections ( Fig.1, using the provided WIRE NUTS):  
Make wire connections, connect the black supply wire (4) to black fixture wire (5) , white supply wire (2) to white fixture wire (3) and the fixture ground wire (7) to supply ground wire (6) by using wire nuts (8). Wrap all wire connections with electrical tape for secure connection.  
If necessary, wrap all wire connections in electrical tape to ensure a secure connection.
5. Tuck all connections neatly into junction box. Attach the mounting bracket (10) to the outlet box (1) using mounting screws A (9).
6. Install the fixture housing (12) to the mounting bracket (10) by sliding the slots in the housing over the mounting screws B (11) in the channel and tightening the screws.
7. Toggle the 5CCT changing switch and adjust to the color temperature that you need.
8. Turn power on. Check light can turn on or not, if not, double check wire connection.
9. Installation complete, Turn power on.



- |                              |                          |
|------------------------------|--------------------------|
| 1. OUTLET BOX (NOT INCLUDED) | 8. WIRE NUT              |
| 2. WHITE SUPPLY WIRE         | 9. MOUNTING SCREW A      |
| 3. WHITE FIXTURE WIRE        | 10. MOUNTING BRACKET     |
| 4. BLACK SUPPLY WIRE         | 11. MOUNTING SCREW B     |
| 5. BLACK FIXTURE WIRE        | 12. FIXTURE HOUSING      |
| 6. SUPPLY GROUND WIRE        | 13. DIFFUSER             |
| 7. FIXTURE GROUND WIRE       | 14. 5CCT CHANGING SWITCH |



Part	Item Name
A	Wire Nuts x 3
B	M4X30MM Screws x 2